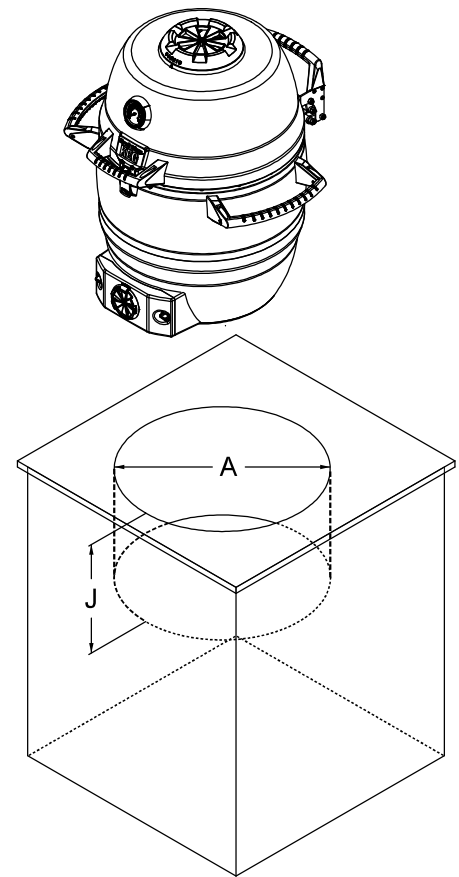


Built-In

Cut-Out Dimensions.



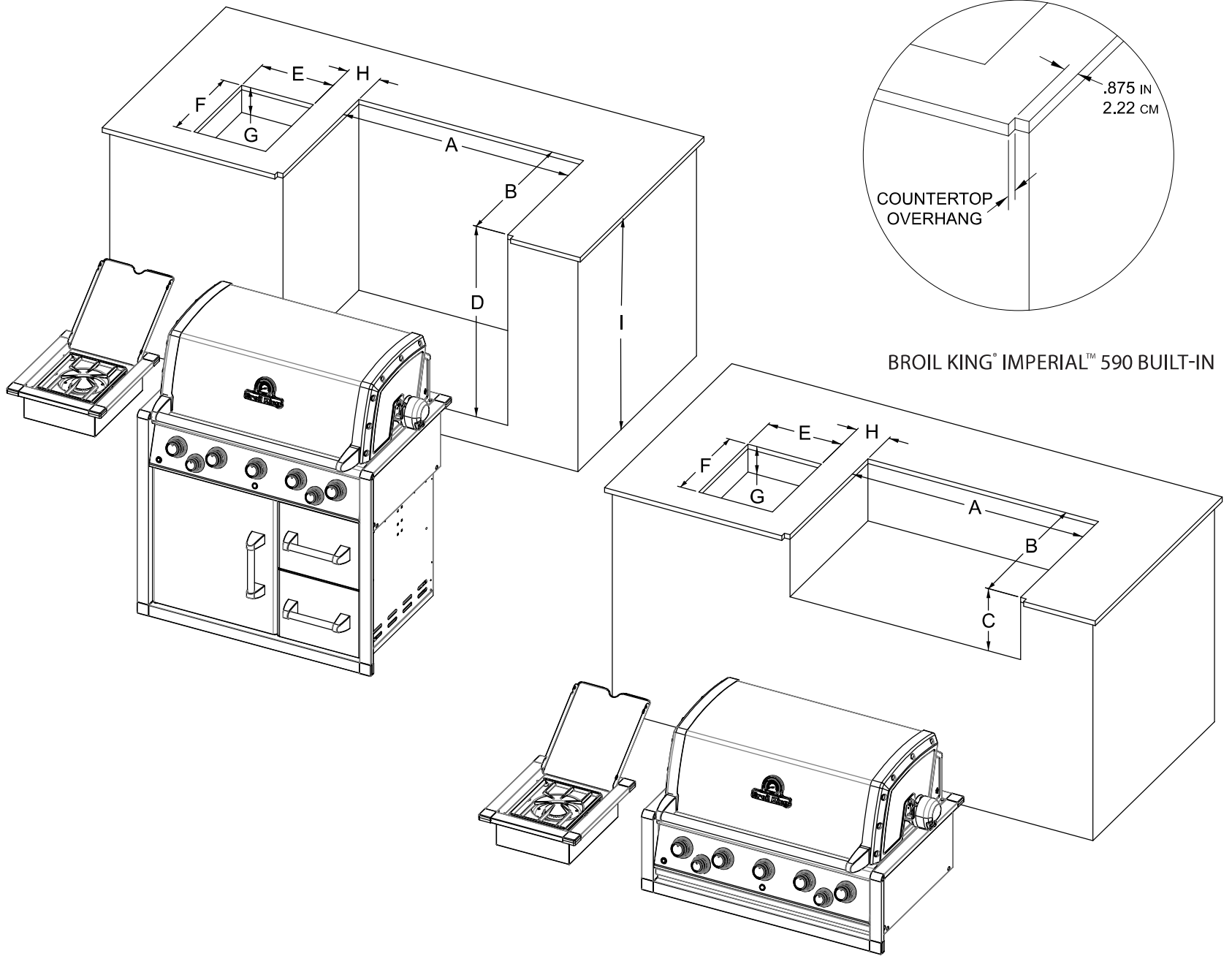
BROIL KING® KEG™ 2000 BUILT-IN



ISLAND CUT-OUT DIMENSIONS			
	BROIL KING® IMPERIAL™ XLS	BROIL KING® IMPERIAL™ 590	BROIL KING® IMPERIAL™ 490
A	MIN. 43.625 IN 110.80 CM MAX. 43.875 IN 111.44 CM	MIN. 36.25 IN 92.07 CM MAX. 36.50 IN 92.71 CM	MIN. 29.875 IN 75.88 CM MAX. 30.125 IN 76.51 CM
B		MIN. 23.125 IN 58.73 CM	MAX. 23.375 IN 59.37 CM
C		MIN. 10.125 IN 25.71 CM	MAX. 10.375 IN 26.35 CM
D		MIN. 31.50 IN 80.01 CM	MAX. 31.75 IN 80.64 CM
E		MIN. 11.50 IN 29.21 CM	MAX. 11.75 IN 29.84 CM
F		MIN. 14.50 IN 36.83 CM	MAX. 14.75 IN 37.46 CM
G		MIN. 4.50 IN 11.43 CM	
H		MIN. 3 IN 7.62 CM	MAX. 7 IN 17.78 CM
I		MIN. 34 IN 86.36 CM	
J			

BROIL KING® IMPERIAL™ 590 BUILT-IN CABINET

COUNTER TOP NOTCH DETAIL



BROIL KING® IMPERIAL™ 590 BUILT-IN

CUT-OUT SPECIFICATIONS	
BROIL KING® REGAL™ S490 PRO	BROIL KING® KEG™ 2000
MIN. 29.875 IN 75.88 CM	MIN. 22 IN 55.88 CM
MAX. 30.125 IN 76.51 CM	MAX. 22.25 IN 56.52 CM
	MAX. 13.5 IN 34.29 CM

Cut-out specifications

These guides, measurements and dimensions will assist you with planning your outdoor kitchen. Note: Due to continuing product innovation, specifications are subject to change without notice. **Important: Please refer to the User's Manual for details on gas line installation, 20lb propane gas supply installation and ventilation.**