

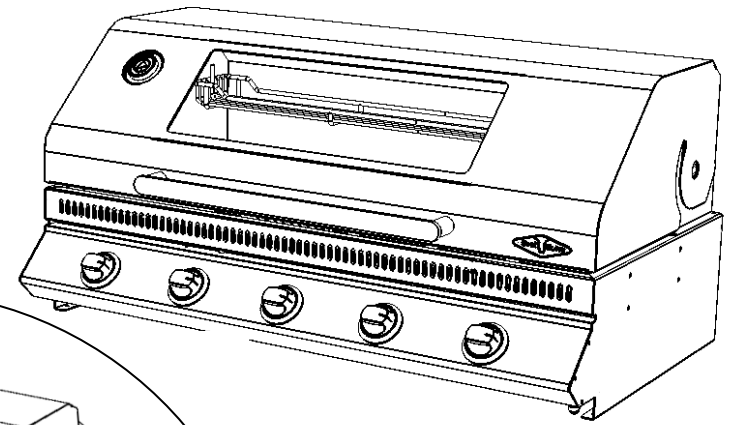


# Discovery Series Build-In BBQ Instructions

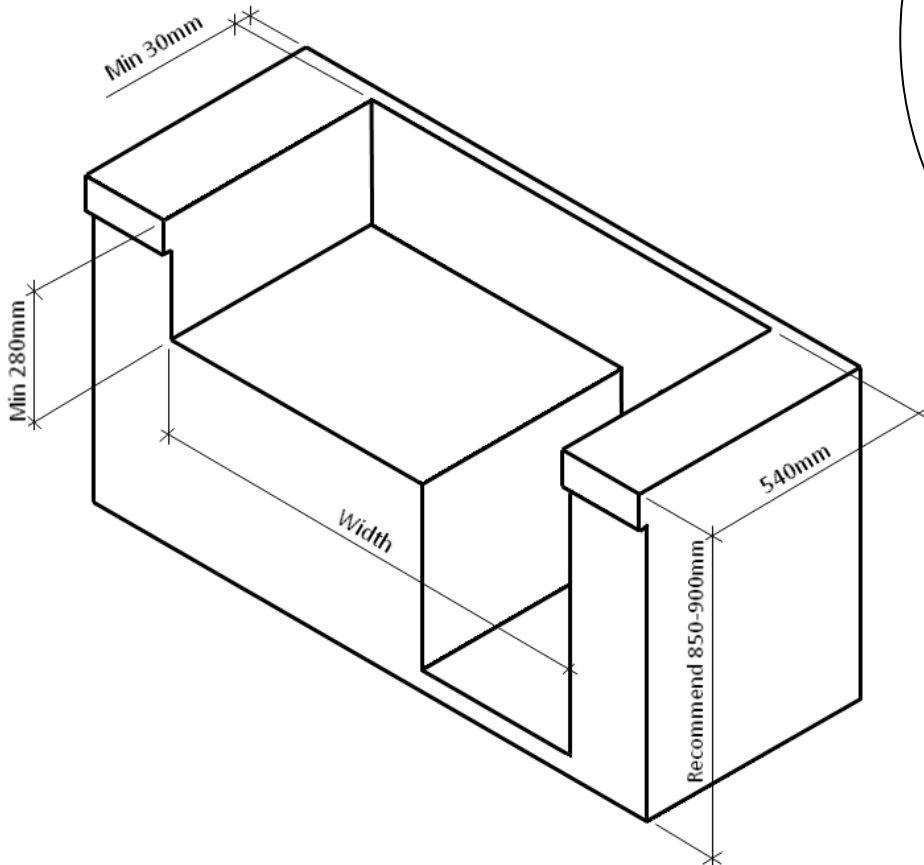
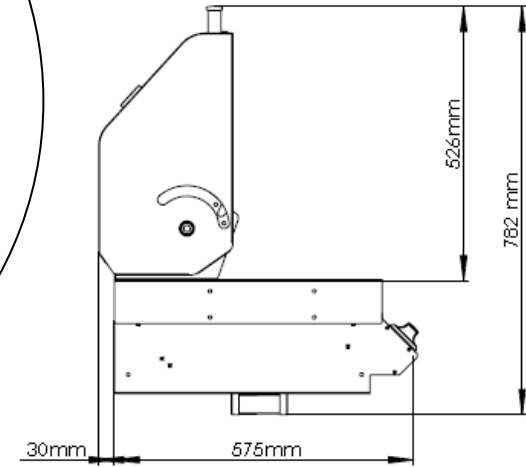
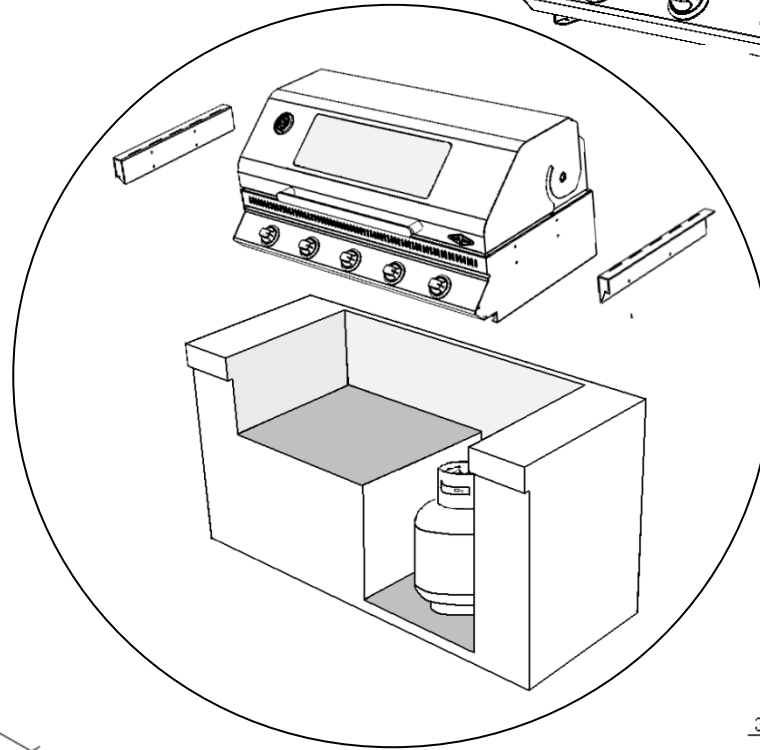
1100\_BI\_Inst V0.2

**Serious Barbecues**

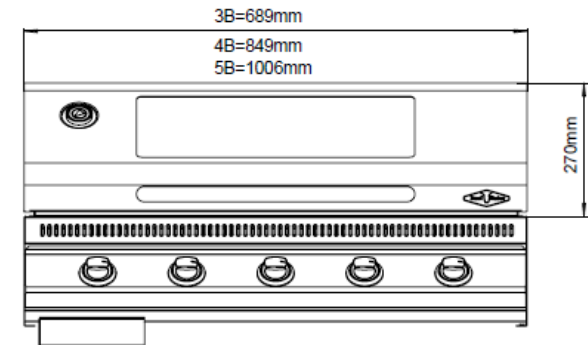
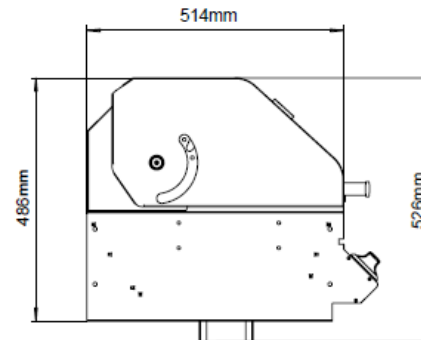
To suit models: 1100s, 1100e and 1100



[mm]	#3	#4	#5
Cut-Out opening Width	720	880	1035
Height (Min)	280		
Depth (including 20mm clearance at rear)	540		
Clearance at rear (Min)	30		
Minimum clearance to combustible materials	450		



## General Dimensions



Note: Build-In brackets are required to be attached to BBQ before it can be positioned in brickwork.

All installation work must be done by qualified professionals.