

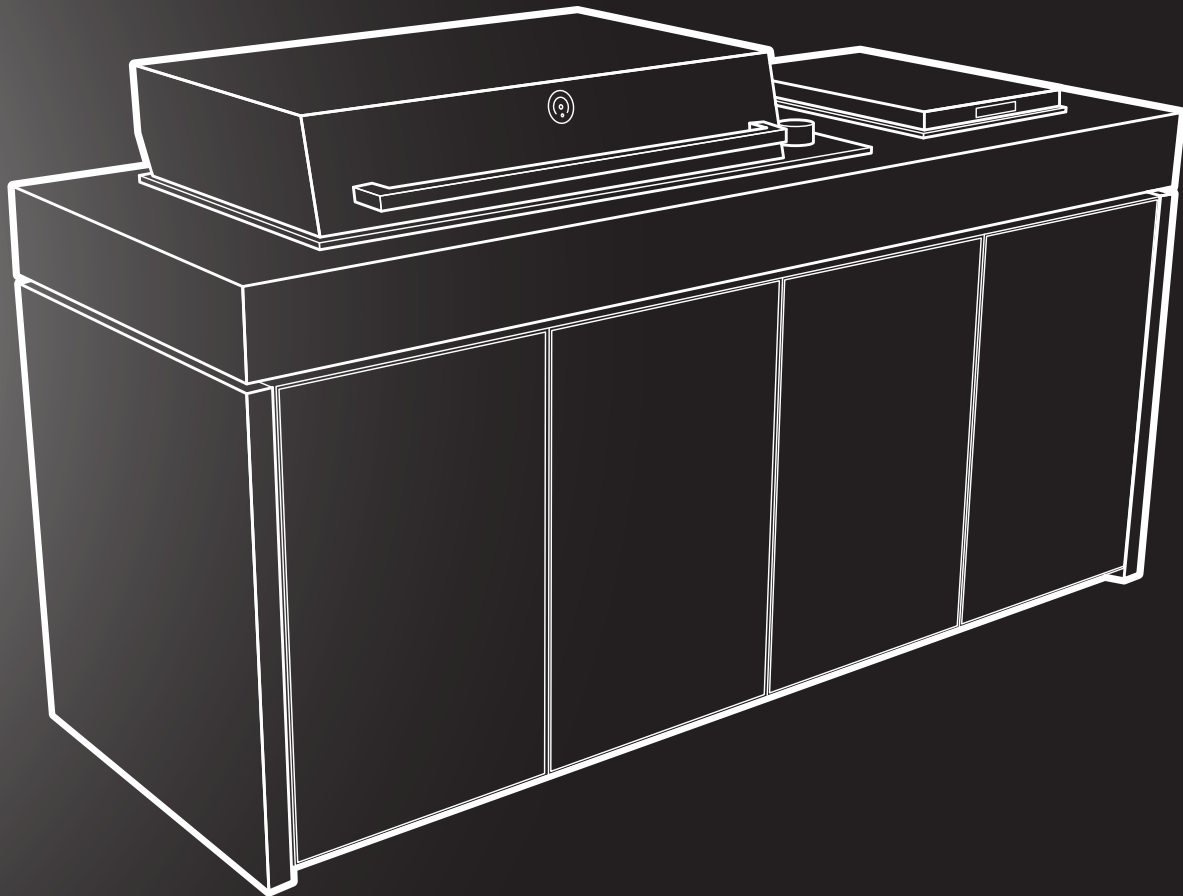


Installation guide

# PROLINE OUTDOOR KITCHEN

**BOKP60WG-EU**

(includes BM190PWG & BM190PCG)



FOR OUTDOOR USE ONLY



EUROPE

Dear Customer,

Congratulations and thank you for choosing our Outdoor Kitchen.

We are sure you will find it a pleasure to use. Before you use the Outdoor Kitchen, we recommend that you read through all sections of this instruction manual which provide the assembly instructions and other relevant care and use information description

To avoid the risks it is important that the Outdoor Kitchen and BBQs are both installed correctly and that you read the safety instructions carefully of this Kitchen and the BBQ to be installed to avoid misuse and hazards.

We recommend that you keep this instruction booklet for future reference and pass it on to any future owners.

After unpacking the Outdoor Kitchen, please check it is not damaged. If in doubt, do not assemble the kitchen but contact your local customer care centre.

## PLEASE NOTE

- The BBQ you install with this kitchen must be installed and serviced only by a qualified and licenced person.
- This kitchen and installed BBQ is intended for personal, domestic or household use only, not commercial use.
- This kitchen is only suitable for installation with BeefEater Proline BBQ and side burner models: BSL158SA, BSH158SA, BSW318SA, BSL158SB, BSH158SB & BSW318SB.
- **This kitchen must be installed in a location in accordance with the installation instructions of the BBQ:**
- **For most BBQs they must be located outdoors in an area that is not enclosed, however the Proline BBQ is approved to the commercial catering equipment standard AS4563:2004 and therefore can be installed in semi-enclosed areas if the ventilation requirements of AS/NZS 5601:2013 are met.**
- **If the Proline BBQ is installed in a semi-enclosed area, then an LPG cylinder must not be located within the kitchen cupboard or in the enclosed area. Any LPG cylinder that supplies gas to the BBQ must be in a remote location that is not enclosed and piping to the BBQ installed by a licensed gas fitter in accordance with the gas installation code.**
- **For Proline, if the area is not enclosed then an LPG cylinder of capacity 9kg may be located in the cupboard in accordance with these instructions – See “WARNING – If you use an LPG gas cylinder...”**
- It is highly recommended that the Proline BBQ is supplied by NG (Natural Gas), however a LPG conversion kit is supplied with the BBQ if required, refer to the safety warnings and instructions supplied with the BBQ.
- An LPG Gas hose connection kit (Part No. A19112301) suitable to connect the Proline side burner and BBQ to LPG cylinder can be purchased separately from BeefEater spare parts.
- This kitchen must be installed and maintained as per the instructions.

Important safety instructions.....	3
Product description .....	4
Carcass assembly .....	6
Hinge and door assembly.....	8
Stone assembly.....	10
Warranty .....	11

Please read the user manual carefully and store in a handy place for later reference.

The symbols you will see in this booklet have these meanings:



## WARNING

This symbol indicates information concerning your personal safety.



## CAUTION

This symbol indicates information on how to avoid damaging the appliance.



## IMPORTANT

This symbol indicates tips and information about use of the appliance.



## ENVIRONMENT

This symbol indicates tips and information about economical and ecological use of the appliance.

## IMPORTANT INFORMATION THAT MAY IMPACT YOUR MANUFACTURER'S WARRANTY

Adherence to the directions for use in this manual is extremely important for health and safety. Failure to strictly adhere to the requirements in this manual may result in personal injury, property damage and affect your ability to make a claim under the BeefEater manufacturer's warranty provided with your product. Products must be used, installed and operated in accordance with this manual. You may not be able to claim on the BeefEater manufacturer's warranty in the event that your product fault is due to failure to adhere this manual.

Please read the user manual carefully and store in a handy place for later reference.



## IMPORTANT

Important – check for any damages or marks

If you find the kitchen is damaged, you must report it within 7 days if you wish to claim for damage under the manufacturer's warranty. This does not affect your statutory rights.



## ENVIRONMENT

Information on disposal for users

- Most of the packing materials are recyclable. Please dispose of those materials through your local recycling depot or by placing them in appropriate collection containers.
- If you wish to discard this kitchen, please contact your local authorities and ask for the correct method of disposal.



## WARNING

The BBQ you install in this kitchen must be serviced only by a qualified licensed person.

Improper installation of the BBQ, adjustment, alteration or maintenance can cause injury or property damage and may affect your ability to claim under the manufacturer's warranty.



## WARNING

If you use an LPG cylinder inside the cupboard (only allowed for kitchen installed in non-enclosed location) and install the kitchen as island configuration with decorative rear panels that block the back ventilation, or if the back ventilation is restricted by pushing the kitchen against a back wall, then a vented door kit (Part No. A18938401) available from BeefEater Spare parts must be used to ensure sufficient gas cylinder ventilation.



## WARNING

If you smell gas:

1. Shut off gas to the appliance.
2. Extinguish any open flame.
3. Open hood and Outdoor Kitchen doors
4. If odour continues, immediately call your gas supplier or your fire department.

For your safety

1. Do not store or use gasoline or other flammable vapours or liquids in the vicinity of this or any other appliance.
2. An LPG cylinder not connected for use, shall not be stored in the vicinity of, or in any cupboard in this kitchen.



## IMPORTANT

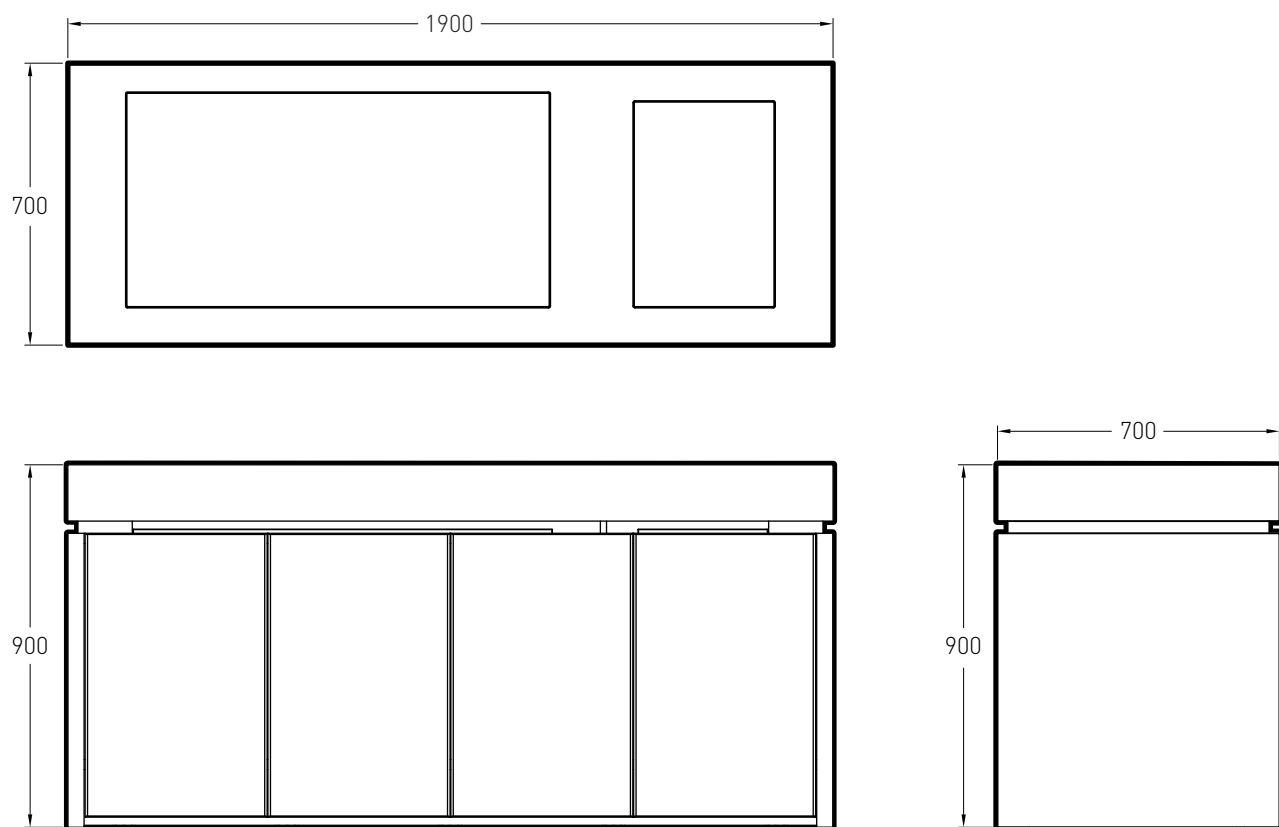
Cleaning instructions:

Use warm soapy water with a soft cloth to clean the kitchen. DO NOT use bleach based cleaners, abrasive cleaners or objects with sharp edge (e.g. scraper) to clean the kitchen surfaces as this may cause damage.

# PRODUCT DESCRIPTION

**i** IMPORTANT

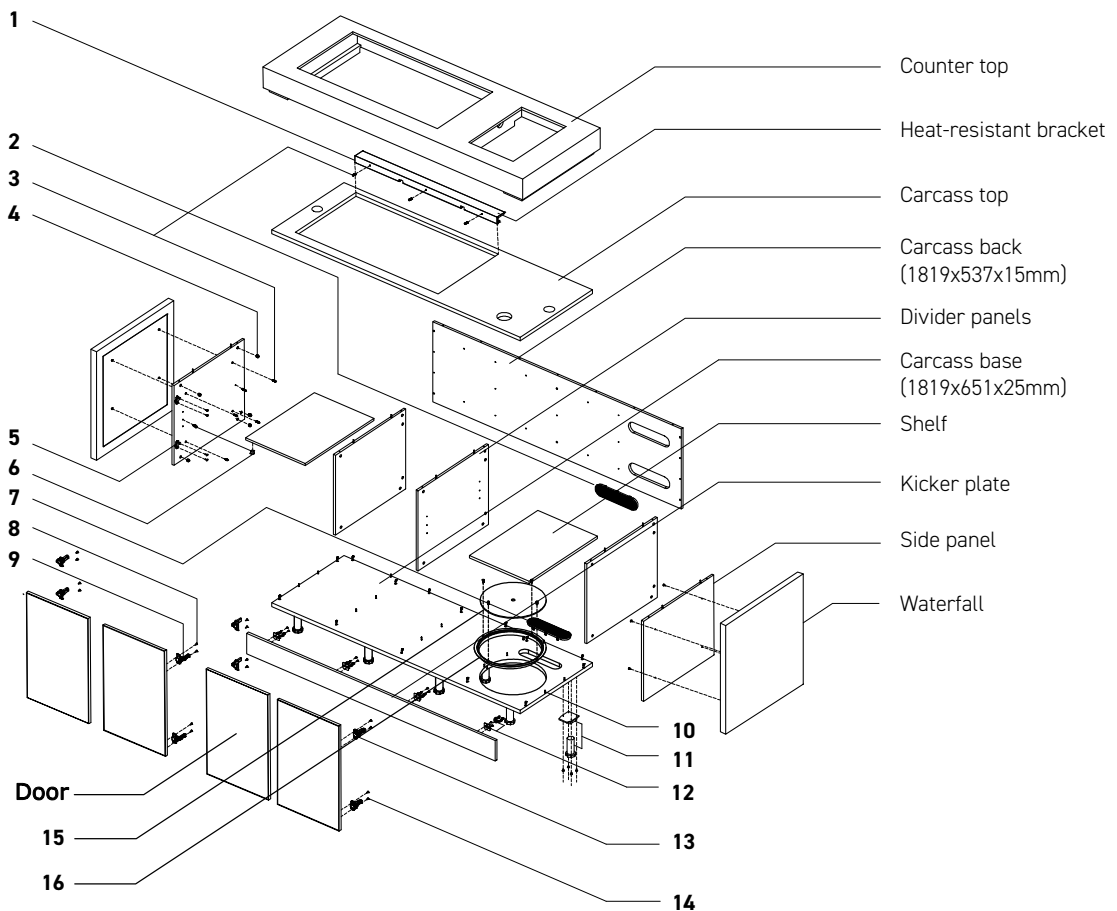
Please note: Stone dimensions may vary ±2mm



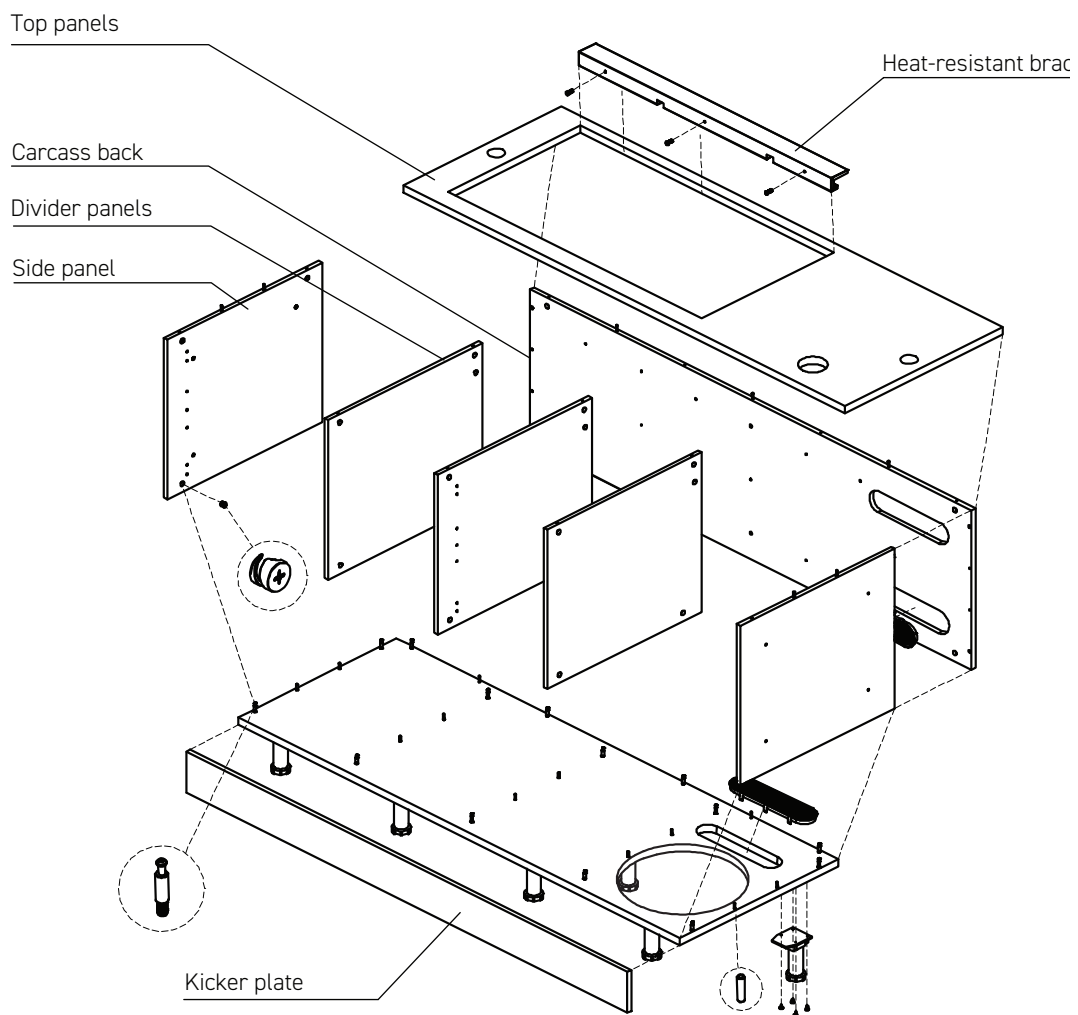
**CAUTION**

ASSEMBLY OF THIS UNIT SHOULD BE CARRIED OUT BY A QUALIFIED TRADESMAN

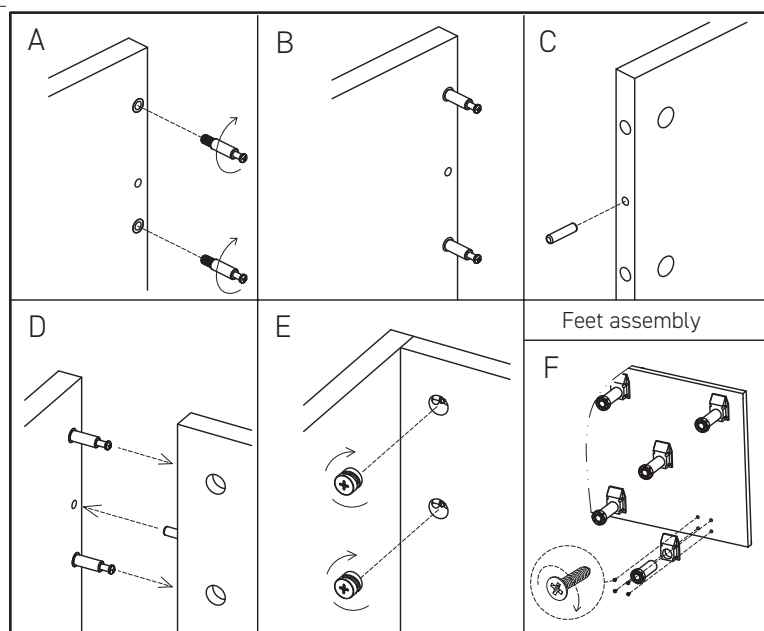
NO.	PART NAME	QTY.	NO.	PART NAME	QTY.	NO.	PART NAME	QTY.
1	Heat-resistant bracket	x1	7	Bottom panel grill	x1	12	Kick board clips	x4
2	Back panel grills	x1	8	Bolt and Nylock nut (M4 x 25mm)	x4	13	Regular hinges	x4
3	Screws (M4 x 30mm)	x11	9	Eccentric hinges	x4	14	Screws (M4 x 16mm)	x80
4	Cam screws	x47	10	Dowels	x23	15	Cylinder ring	x1
5	Hinge mounts	x8	11	Adjustable feet	x10	16	ABS hole cover	x1
6	Shelf pins and sockets	x8						



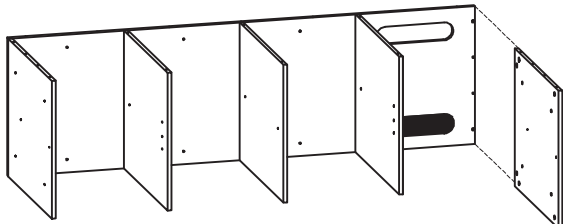
# CARCASS ASSEMBLY



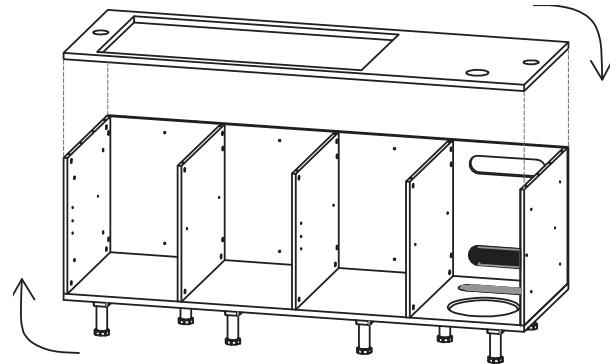
## Cam lock and dowel assembly method



**1 Attach side panels to back panel**

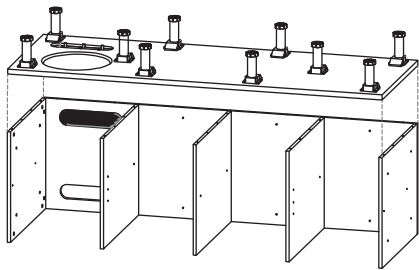


**4 Attach carcass top**

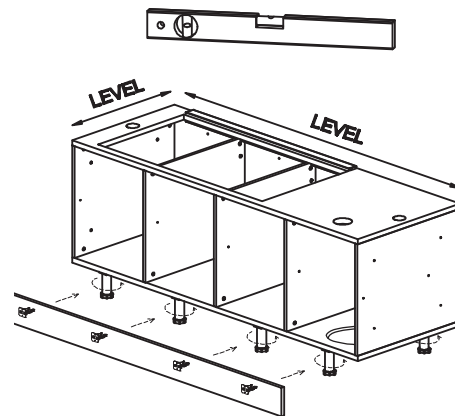


Turn unit right side up

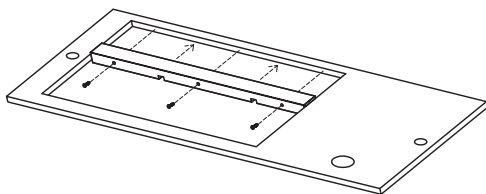
**2 Attach base to carcass**



**5 Level the cabinet by adjusting the feet**



**3 Attach heat-resistant shields to carcass top**

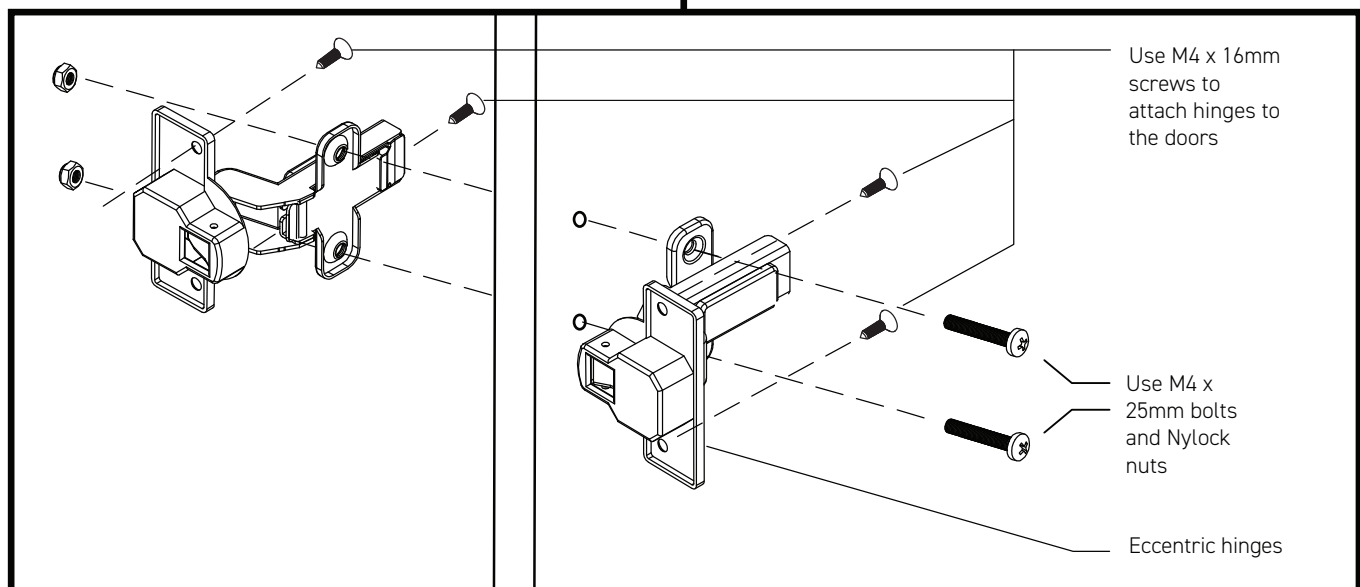
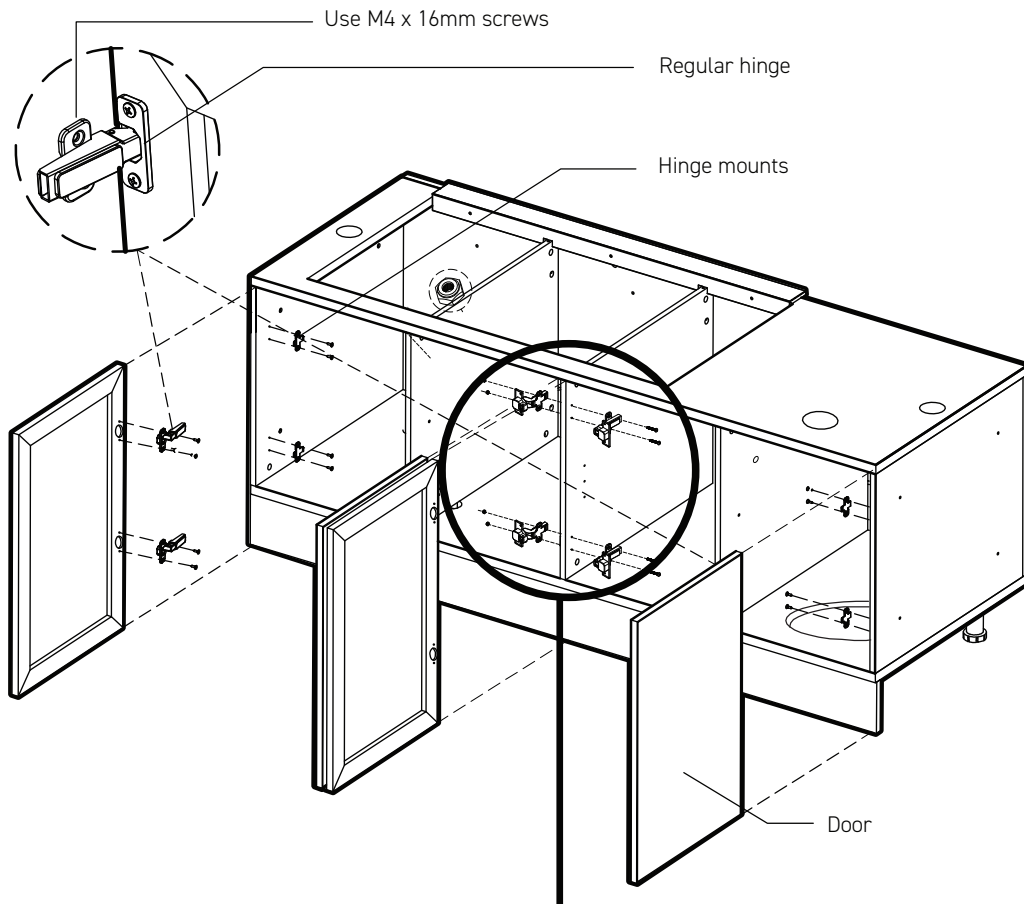


Ensure the height from the ground to the top of the carcass is minimum 735mm high in order to ensure at least 5mm gap from the bottom of the waterfall to the ground

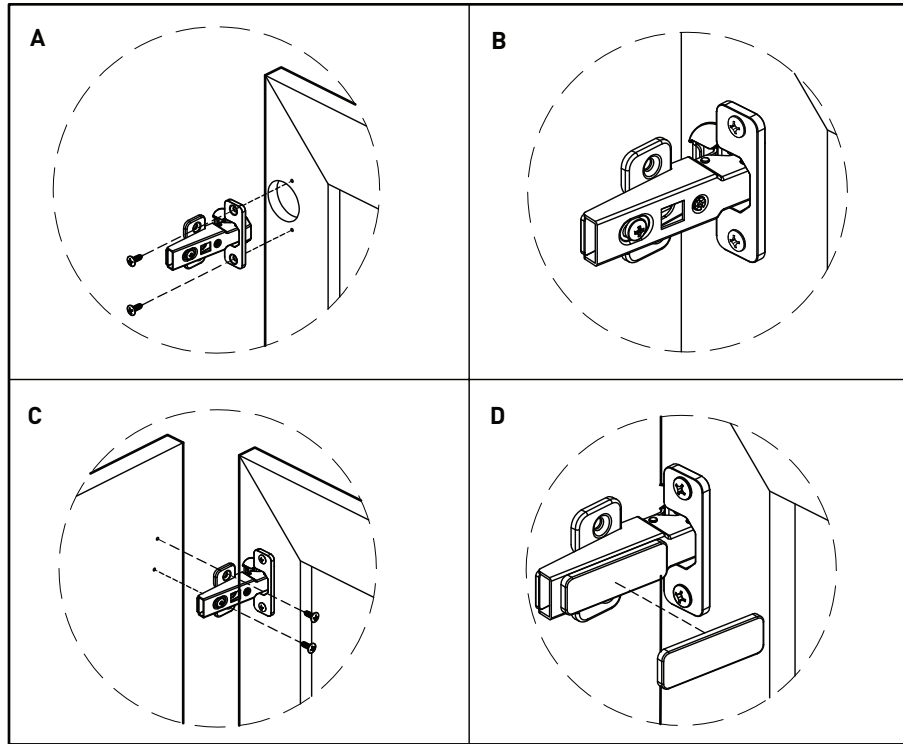
Use M4 x 30mm screws to fix the heat-resistant shield

# HINGE AND DOOR ASSEMBLY

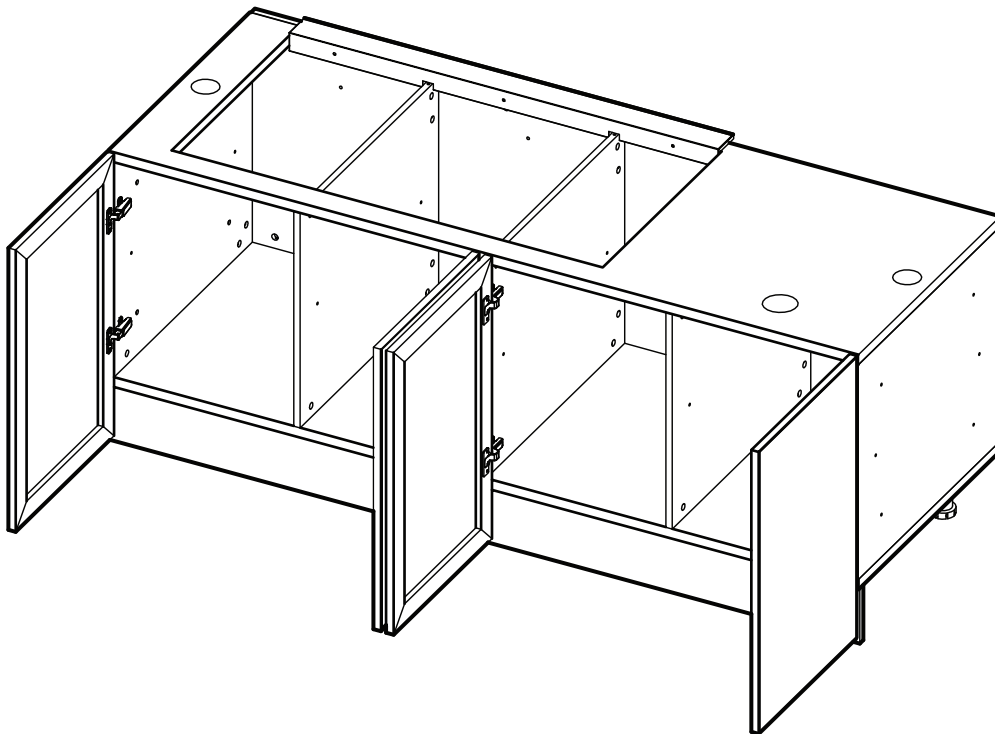
Use eccentric hinges (item #9) and M4 x 12mm screws for the centre doors and use regular hinge (item #13) and M4 x 16mm screws for outer doors



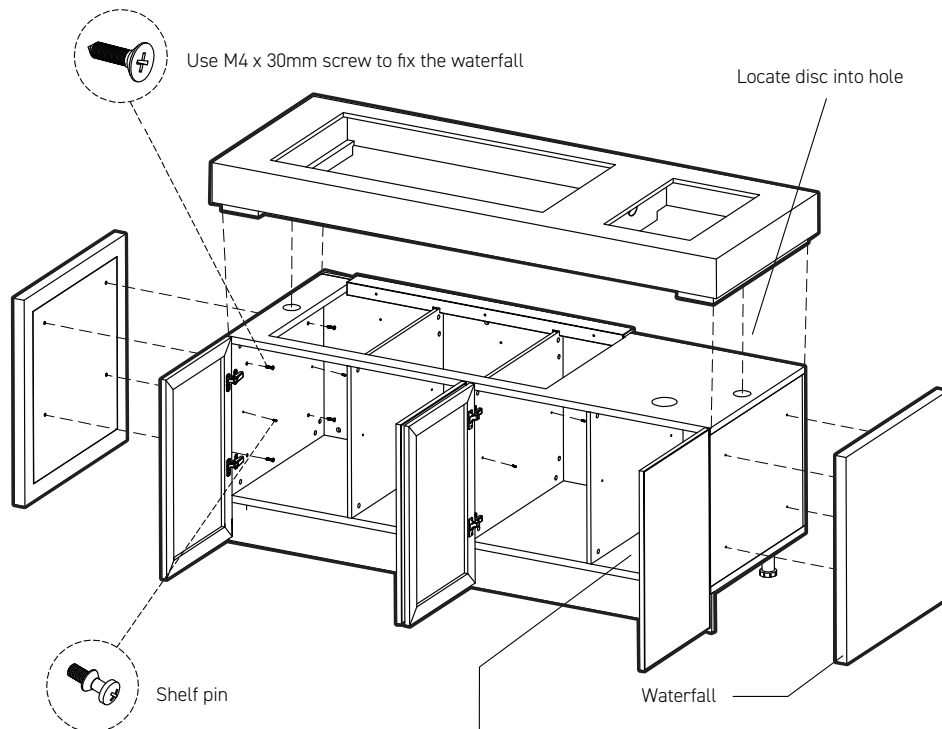




Completed wooden carcass



# STONE ASSEMBLY



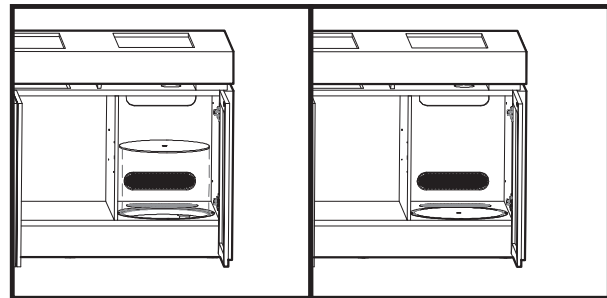
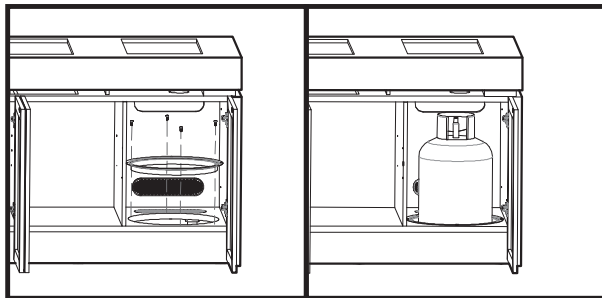
When assembling the waterfalls to the cabinet, the top of the waterfall must be level with the top of the cabinet, and there must be clearance between the bottom of the waterfall and the ground, adjust the leveling legs as required.

Optional LPG cylinder storage location if kitchen located in outdoor non-enclosed area - use LPG vented door kit Part No. A18938401 available from BeefEater spare parts if the kitchen is installed in island configuration with decorative back panels blocking the vents, or if the kitchen is pushed up against a back wall restricting the ventilation. The vented door is required in these situations to ensure adequate cylinder ventilation for safe operation.

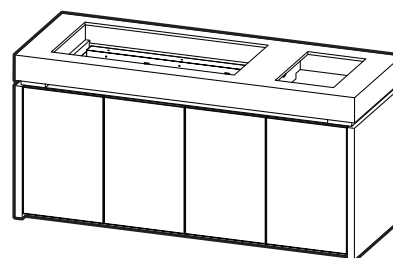
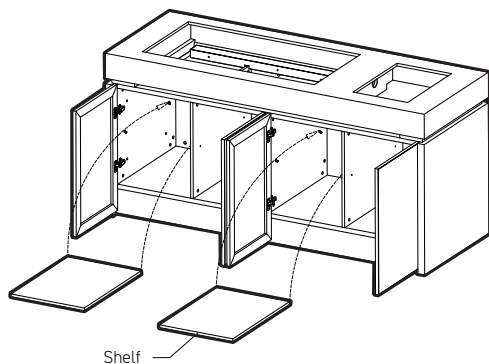
## Assemble cylinder ring

Screw cylinder ring to carcass base in position with M4 x 16mm

If gas cylinder not used, the hole can be covered with ABS cover supplied.



## Assemble shelves



Completed unit



FOR SALES IN EUROPE  
APPLIANCE: BEEFEATER INTEGRATED BARBECUE

**Should any part fail due to defective workmanship or faulty materials within the specified period from the date of purchase, BeefEater or its distributor will repair or, (at distributors option), replace the defective part free of charge.**

• **LP / Propane Gas Cylinder**

The cylinder manufacturer is responsible for the materials, workmanship and performance of the gas cylinder. Contact your dealer or the cylinder manufacturer in respect of all warranty claims or service.

• **Warranty Administration**

In Australia, warranty is administered by BeefEater Barbecues. In other countries, contact your authorised BeefEater retailer for details of your BeefEater distributor.

- To ensure speedy processing of your warranty service claim, ensure that you record all specific details about your appliance in the space provided. Keep this information handy for future reference.

**Not covered**

Exposure of the barbecue appliance to the elements should be minimised. Once the unit has cooled and is cleaned, store the barbecue under cover. Polyester/ Vinyl barbecue covers are an optional accessory that will ensure years of trouble free operation.

This warranty does not cover the purchaser or any other person for damage, malfunction or loss due to the following:

- Lack of maintenance, abuse, neglect, misuse, accident or improper installation of this appliance.
- Scratches, dents, corrosion or discolouring caused by heat, abrasive or chemical cleaners or chipping on porcelain parts.
- Corrosion or damage caused by exposure to the elements, grease fires, insects, weather or hail. Note: Barbecues must be covered when not in use.
- Cleaning and normal wear and tear. Service calls of this nature are chargeable.
- Rusting of cast iron plates, grills and burners. Note: Rust should be removed by a scrub pad and the surface coated with cooking oil. See owners manual – Caring for cast iron cooking surfaces. Cooktops must be covered when not in use.
- Commercial use of the barbecue.
- Unauthorised repairs during the warranty period
- Removal or re-installation costs.

**Conditions of Warranty**

1. The appliance is delivered to the BeefEater distributor's service department or authorised service agent and freight charges both ways are paid by the owner. No liability is accepted for loss or damage during transit.
2. The appliance is operated and maintained in accordance with the instructions supplied. Repairs or service must be carried out by an authorised person.
3. Installation must conform to the applicable Gas, Electrical and Building standards laid down by the local codes for your country or region.
4. No alterations or repairs have been carried out without obtaining the distributors prior consent. Such repair or any replacement does not extend the warranty period.
5. Proof of purchase together with the warranty card must be provided to verify purchase date and establish the warranty period. Only the original purchaser is covered under this warranty.
6. The warranty period is calculated from the date of purchase only.
7. Where this warranty is inconsistent with any state laws, the statutory rights of the purchaser shall prevail.
8. Parts installed from other manufacturers' products will void this warranty.

**Service assistance**

To assist you when contacting your after sales service contact to arrange a service call please complete the following details and have them ready when you call. You do not need to register your warranty. However, you must retain your receipt or proof of purchase. When claiming warranty for this appliance you must provide a copy of your proof of purchase receipt. No claims for warranty will be accepted without proof of purchase.

**TERMS OF WARRANTY (YEARS)**

Barbecue	
Stainless Steel burner box	25
S/S burners	5
Cast iron cooktops	3
Valves	2
Ignition system	2
All other parts	2
Hood	
Hood	2
Cast alloy parts	2
All other parts	2

For more information on all Beefeater products, or for dimension and installation information, call into your retailer, phone or email our customer care team or visit our website:

#### EUROPE

BeefEater Europe

PO Box 1238

Cheddar

BS27 9AH

United Kingdom

phone UK: +44 (0) 8455 436001

phone EU: +44 (0) 1934 743362

email: [sales@beefeaterbarbecues.co.uk](mailto:sales@beefeaterbarbecues.co.uk)

web: [www.beefeaterbbq.com](http://www.beefeaterbbq.com)

BeefEater. We are part of the Electrolux Family.  
To add a touch of professional inspiration to your home, visit [electrolux.co.uk](http://electrolux.co.uk)